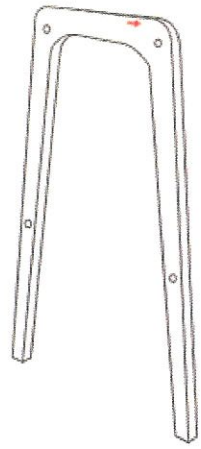


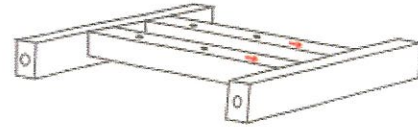
BAR STOOL

Installation Instructions

(1) Basex2



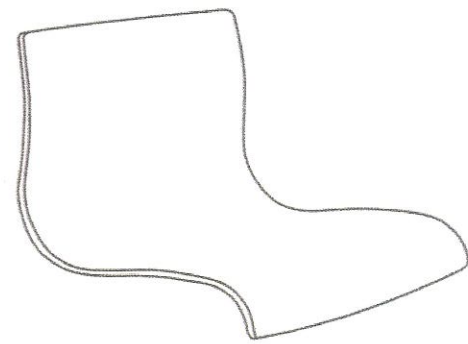
(2) Base










(3) Basex2

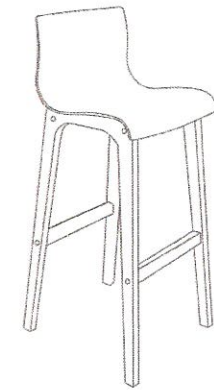
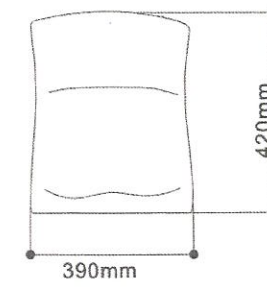
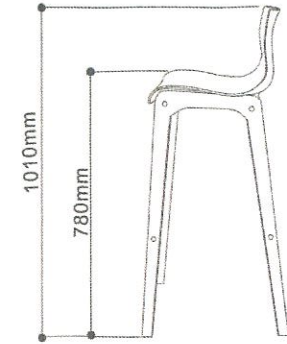
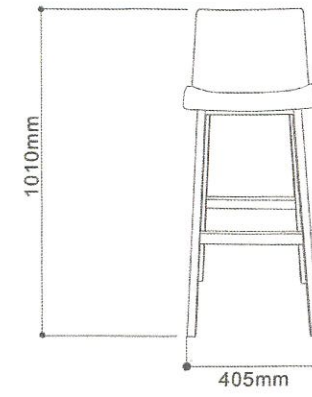


(4) Chair Body



(5) Other Parts

- 1.  x4pcs (M6*25MM)
- 2.  x8pcs (M6*50MM)
- 3.  x1pcs (4MM)
- 4.  x12pcs (16MM)
- 5.  x4pcs (25*25MM)
- 6.  x8pcs (M18*7MM)
- 7.  x12pcs (12MM)

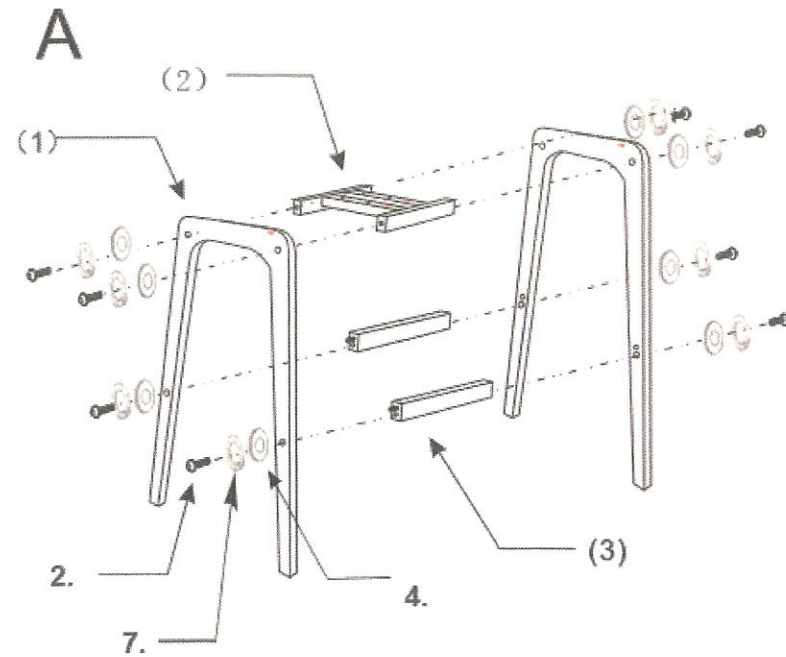


DO NOT USE ELECTRIC SCREWDRIVERS

A: Assemble wood leg & fix the screw as below pic

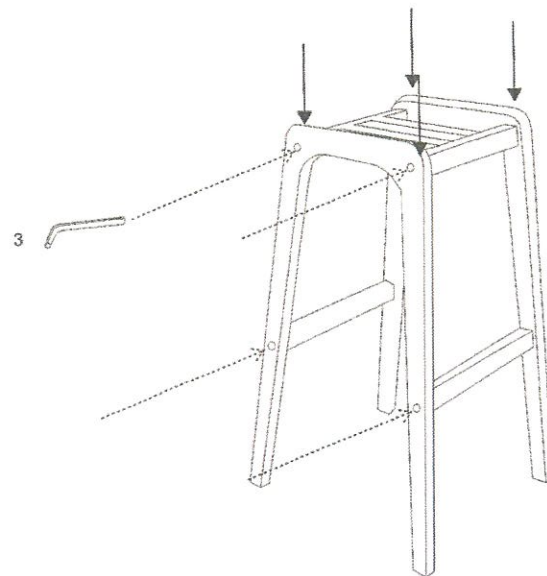
- Main parts: (1), (2) & (3)
- Spare parts: 2(8 pcs long screw), 4(8 pcs gasket) & 7(8 pcs spring gasket).
- Red arrow on leg means front side

DO NOT OVER TIGHTEN THE SCREW NOW!!!



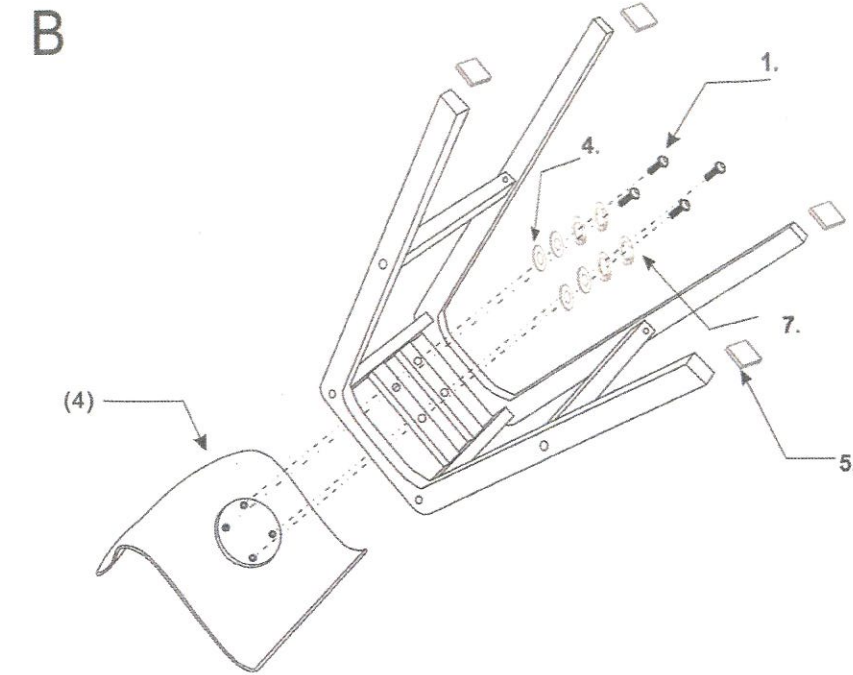
A1.1: Tighten screw

- Place the chair on a flat surface
- **Press down by taking a help of a person(on long leg)**
- Tighten all screws which is not over tighten before
- Check the stability after finished installation
- Spare parts: 3(Allen wrench).



B: Install the chair body

- Main parts: (4)
- Spare parts: 1(4 pcs short screw), 4(4 pcs gasket) & 7(4 pcs spring gasket), 3(Allen wrench), 5(4 pcs leg mat).
- Red arrow on leg means front side



Finished

- Double check all screws have been over tightened
- Spare parts: 6(8 pcs screw hole cover)

Finish

